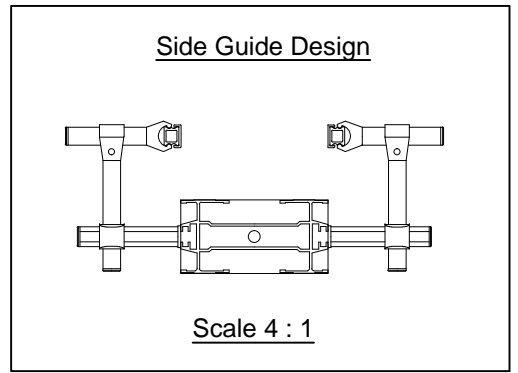
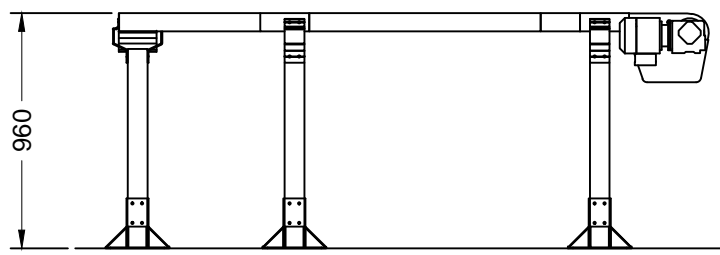
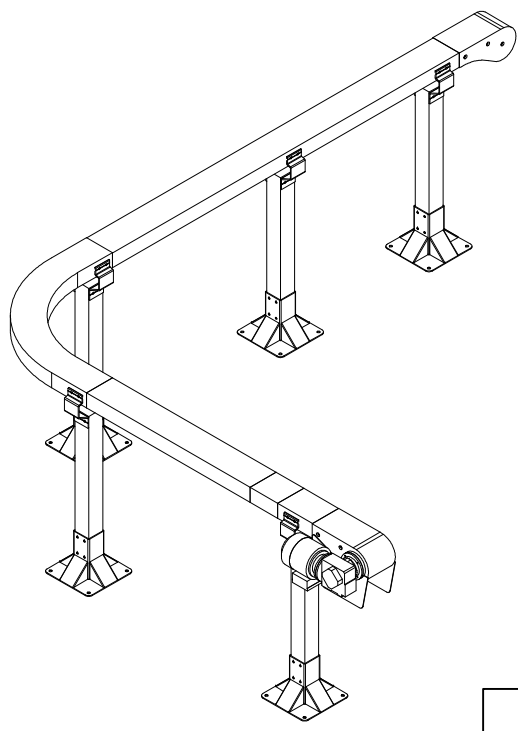
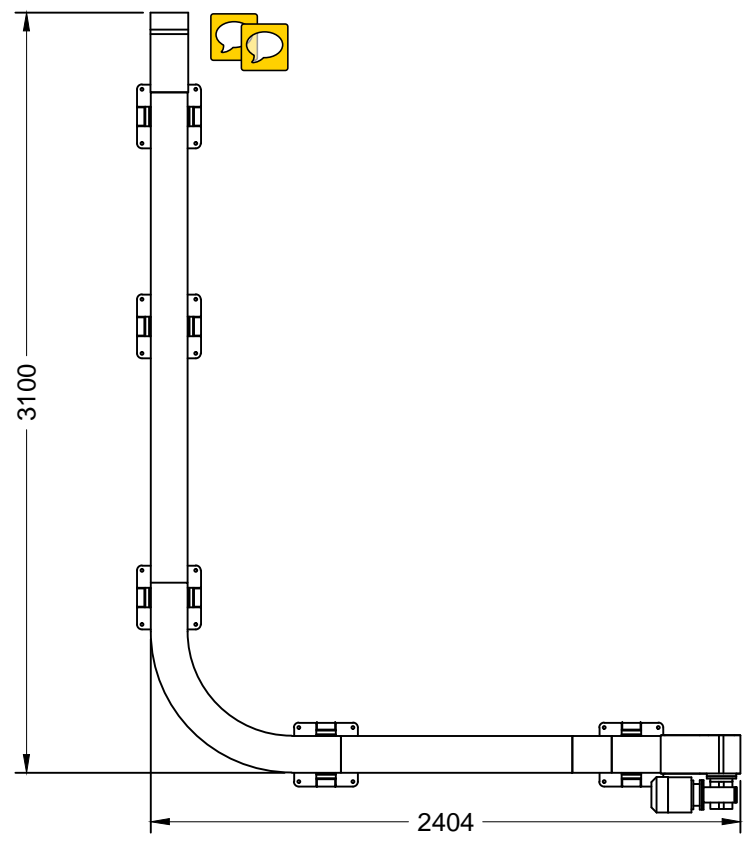


NOTICE OF PROPRIETARY PROPERTY
 THE INFORMATION CONTAIN HEREIN IS THE PROPERTY OF
 DORNER . THE POSSESSOR AGREES TO MAINTAIN
 THE DOCUMENT IN CONFIDENCE, NOT TO REPRODUCE,
 COPY, REVEAL OR PUBLISH IT IN WHOLE OR PART.

TARGET COMPLETION :			
REV	DESCRIPTION	APPROVED	DATE
1			
2			
3			



DWG RELEASE : -
 TARGET DELIVERY : -

TOLERANCES METRIC .X ± - .XX ± - .XXX ± - FRAC ANGLE ± - ± -	1	1	-	FL Series	Nil
	ITEM	QTY	DRAWING NO:	MATERIAL:	MATL-FINISHING
	-	-	L Shape Conveyor		
10/08/2018	-	1 : 30	PROJECT: -		
DATE	APPROVED	SCALE			