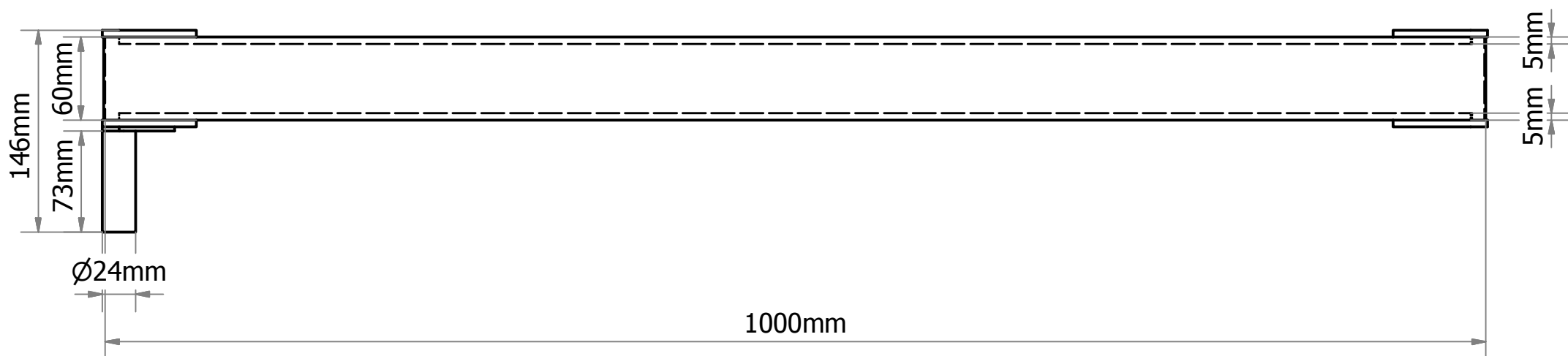
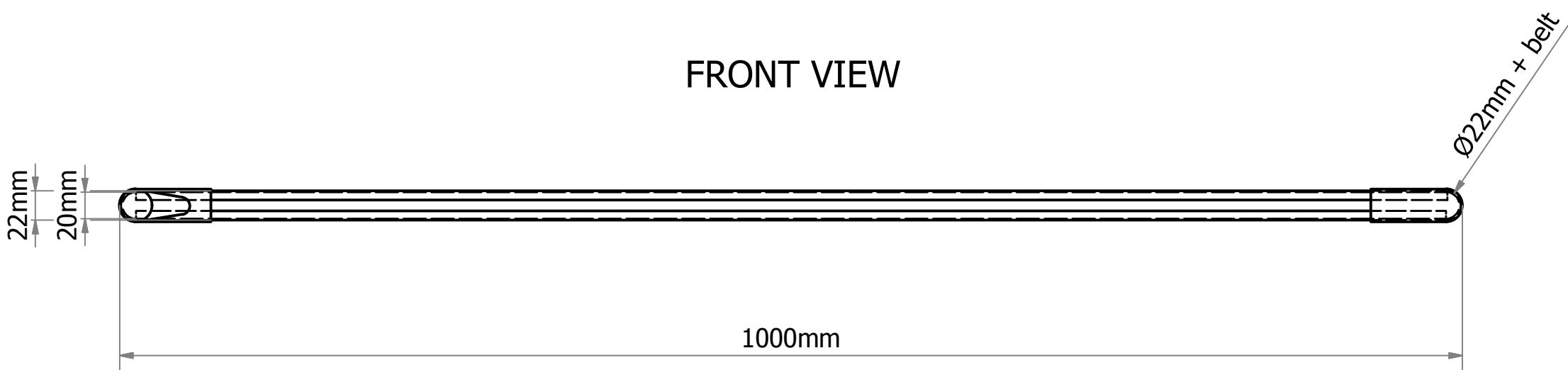


PLAN



FRONT VIEW



END VIEW

